



Product Applications

# I/O Connector Systems

## Sicma



Terminal System Overview



Housing Overview

## 56 way sealed connector system

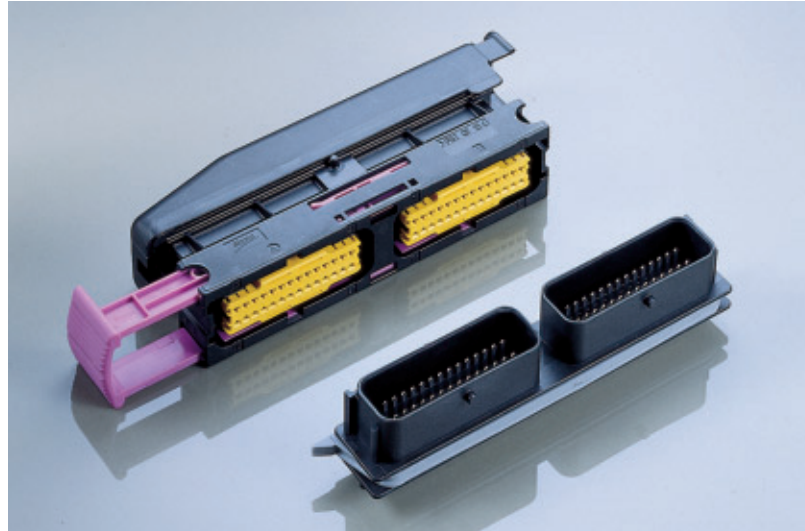
### Features

#### 56 way - 56 x 1.5 mm pin header

- Stitch-in pin headers
- Double row 3.33 x 6 mm pitch
- Gasket panel seal
- Mechanical polarization
- Straight or right angle version

#### 56 way female housing for 1.5 mm terminals

- Rear sealing by grommet
- Circumferential interface seal
- Pre-assembled front grid supports blade terminals guiding and mating
- Terminal position assurance (T.P.A.)
- Cable protection cover
- Locking cam



### Performance characteristics

- Temperature range: from -40° C to +125° C
- Contact retention force: > 100 N
- Contact insertion force: < 12 N
- Connector mating force: < 100 N
- Sealing protection: IP 68
- Acceptable wire range: from 0.5 to 2 mm<sup>2</sup>

### Construction

- Housing material:
  - Pin header 180°: PCT
  - Pin header 90°: PBT
- Interface seal: Silicone
- Rear grommet seal: Silicone
- Tab material and plating: CuZn30+Sn

### Tooling

- T.P.A. removal tool: 210S040
- Terminal removal tool: 210S048

### Connector compatibility

- Sicma-3 1.5 mm female terminals

### Overview of SICMA housings

Part Numbers	No. of position	Terminal size	Type	Colour
211 PL562Y0008 (RESTRICTED)	56	1.5 mm Straight angle	Pin header	Black
211 PL562L8076	56	1.5 mm Right angle	Pin header	Grey
211 PL562L0011	56	1.5 mm Right angle	Pin header	Black
211 PC562S0009	56	1.5 mm	Female housing	Black
211 PC562S8009	56	1.5 mm	Female housing	Grey
211 A560008			Cover	Black
211 A567007			Locking cam	Black



Table of Content



Product Applications

# I/O Connector Systems

Sicma



Terminal System Overview

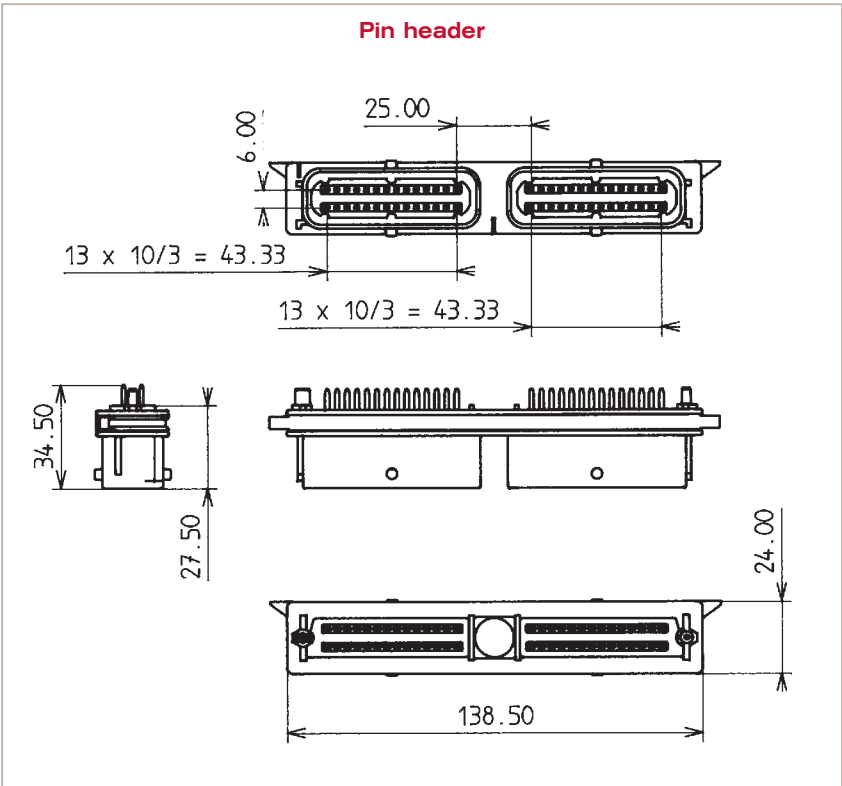
## 56 way sealed connector system



Housing Overview

### Dimensional characteristics

Notes:




---

---

---

---

---

---

---

---

---

---

---

---

